



GLOBAL FILTER

Filtration Group®

Validated Filtration Solutions to Industry Leaders®

Single - Bag Liquid Vessels

GBFV Series

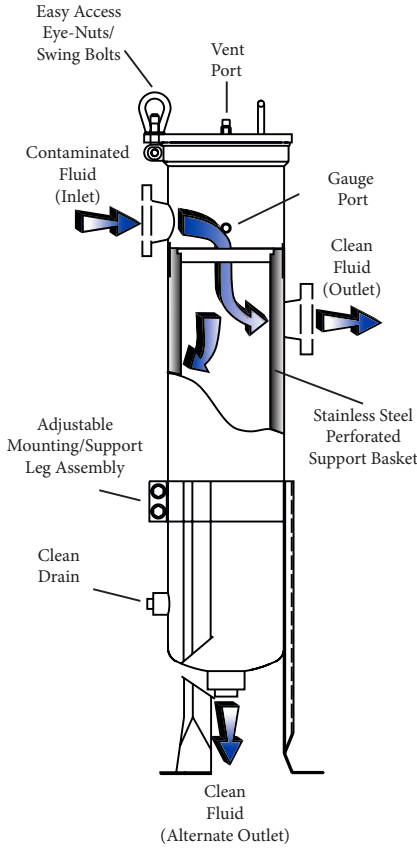
GBFV Series Bag Vessels are designed to meet and/or exceed nearly all application requirements. The V-ring design provides a positive snap-fit to ensure against by-pass and deliver clean effluent.

Features

- NPT or RF Flanged inlet/outlet connections
- Stainless steel perforated support baskets (9/64" perf. standard)
- Adjustable tripod mounting/support leg assemblies
- Easy-access eye-nut/swing-bolt closures with handle
- 304 & 316 stainless steel construction
- Uni-style (side & bottom outlet) offers increased piping flexibility
- Single o-ring seal (Buna standard)
- 150 PSI pressure rating standard
- Snap-fit V-ring bag seal design

Options

- ASME Code Stamp
- Electropolished Finish
- Sanitary porting
- Mesh-lined baskets
- Alternate seal materials (EPDM, Viton, Silicone)



Flow Rate

Model	Bag Size	Basket Depth	EFA (ft ²)	Max Flow Rate (GPM)*
GBFV815	1	15	2.0	90
GBFV830	2	30	4.4	200

* Max flow rate is the maximum flow rate recommended through the vessel without a filter bag installed (using water). Any increase in viscosity and/or the installation of filter bags will reduce these flow rates significantly. Please refer to the sizing chart or consult with Global Filter when sizing these vessels.

Ordering Information

GBFV8	Basket Depth	Inlet/Outlet Size	Inlet/Outlet Style	Outlet	Material	Pressure Rating	Surface Finish	ASME Code Stamp
	15 = #1 Size	2 = 2"	N = FNPT	1 = Bottom Outlet	4 = 304 SS	15 = 150 PSI @ 250°F	GB = Glass Bead	Blank = None
	30 = #2 Size	3 = 3"	F = RF Flange	2 = Opposite Side Outlet	6 = 316 SS		EP = Electropolished	U = ASME
			T = TC Ferrule	3 = Bottom & Opposite Outlet (2" FNPT ONLY)				

DISCLAIMER: Filtration data presented is representative of performance observed in controlled laboratory testing. It is not given as a warranty, specification or statement of fitness for use. Specific performance can vary widely depending on contaminant type, fluid properties, flow rates and environmental conditions. It is recommended that users conduct thorough qualification testing to assure the product functions as required.



7201 Mt. Vernon Road, SE | Cedar Rapids, IA 52403 | USA

www.filtrationgroup.com | www.globalfilter.com

t 319.743.0110 t 877.603.1003 f 319.743.0220

DS_GB8V8_160701